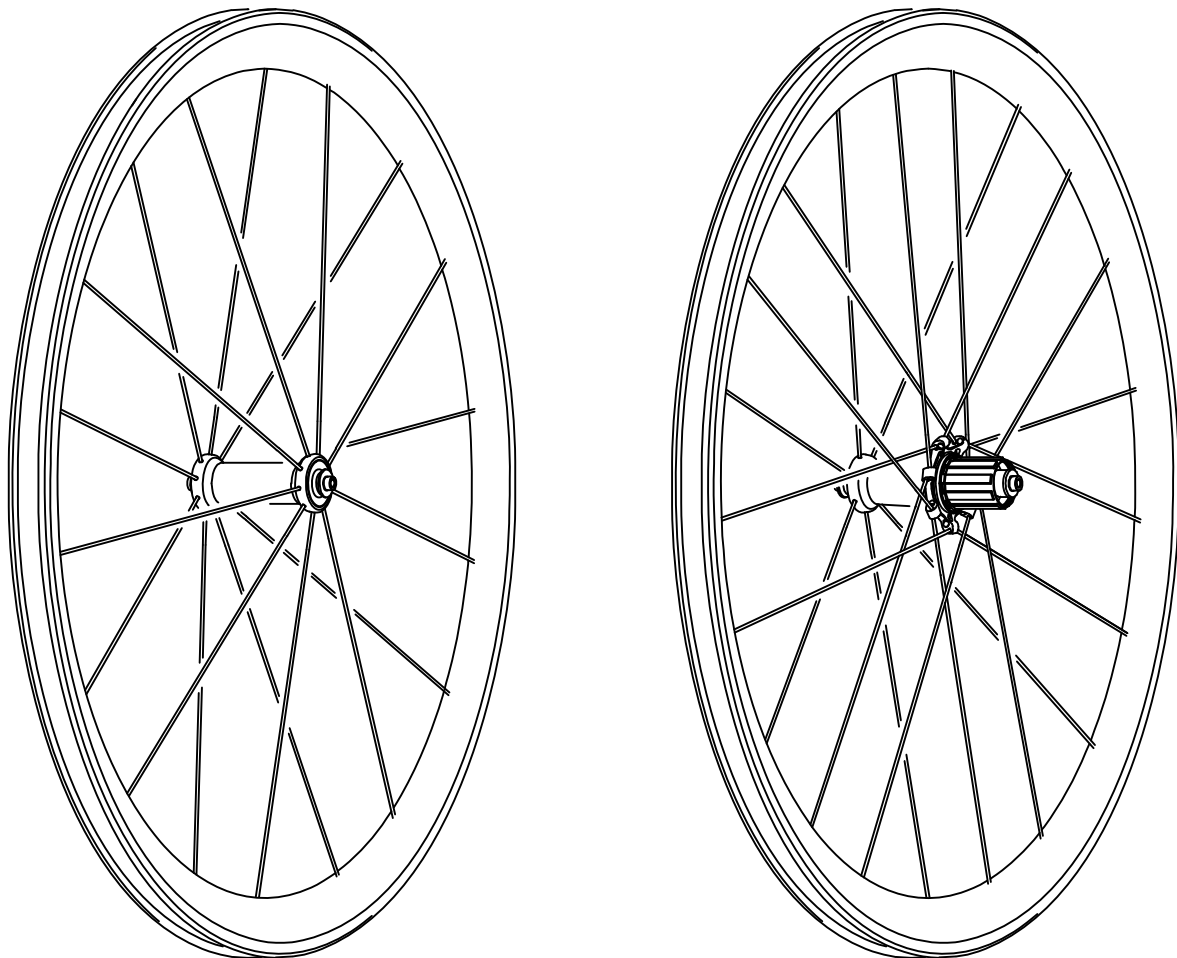




**DHuezz**

# ZENITH Alloy Clincher

ROAD RACING WHEELSET



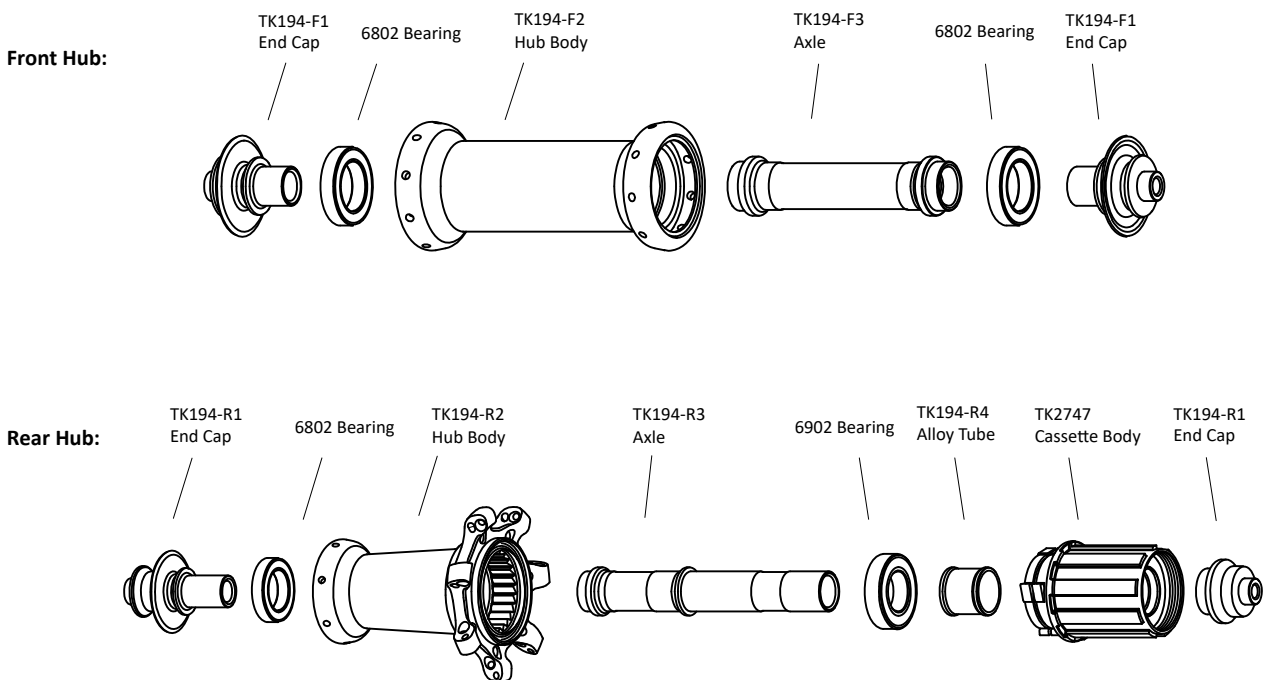
**SPECIFICATION**

RIM				HUB	SPOKE / NIPPLE	CASSETTE BODY	WHEEL MAXIMUM
Profile Depth	Internal Width	External Max Width	Recom'ed Tyre Size	Z1 Hubset F-18H R-21H PREMIUM Bearing	Pillar WING21/ WING22 Black Spoke  Alloy External Black Nipple	Shi 10-12S / SRAM10-11S/ SRAM XDR	Inflation Pressure 115psi (700x25c)  Rider Weight 100kg
22mm	18mm	22mm	700x23c 700x25c				

**WARNING**

1. Use only TOKEN brand carbon-rim specified brake pads on rims with carbon fiber brake track. Use other brake pads could degrade braking performance and may lead to unwanted character such as noise and heat accumulation, as well as serious injury of rider.
2. Over tensioning spokes and exceeding maximum inflation pressure could cause unseen damage. Note that overly inflated tyres don't necessarily have lower rolling resistance, and may have inferior traction!
3. Discontinue use of rim immediately if the brake track is worn, deformed (carbon) or the wear indication dots disappear (alloy).
4. Mounting clincher tyres on tubeless-ready rims could take more effort than on regular rims. Take great care not to damage any part of the rim with tyre lever! Applying mild soap water or tyre sealant on rim and tyre bead could make tyre installation easier.
5. Make sure your tyre-and-wheel combination meets ISO 4210-6 Safety Requirement regulation - there should always be a clearance no less than 4mm between the tyre and the frame, as well as other components such as brake caliper.
6. Failure to follow the conditions listed above may result in 2-year warranty being voided. Contact your local dealer or see the TOKEN website for details. -www.tokenproducts.com-

**HUBS**



**WHEEL BUILDING**

**RIM**

**BEARING**

Spoke Information		Tension (kgf)	Size	Length (mm)	ERD (mm)	Front	Rear
Rear	Front	100~120	14G	284	592.8	6802 * 2	6802* 1 6902* 3
	Drive Side	120~140	14G	292			
	Non-Drive Side	80~110	14G	286			