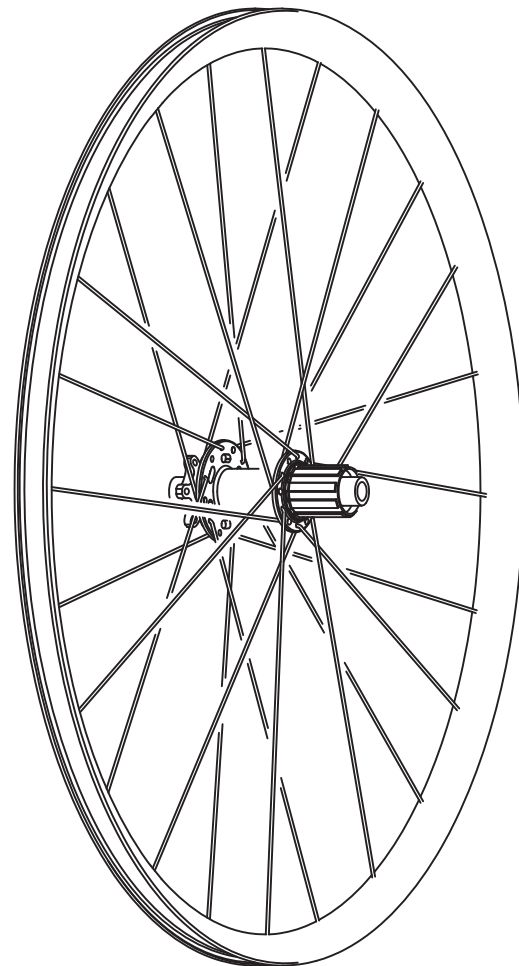
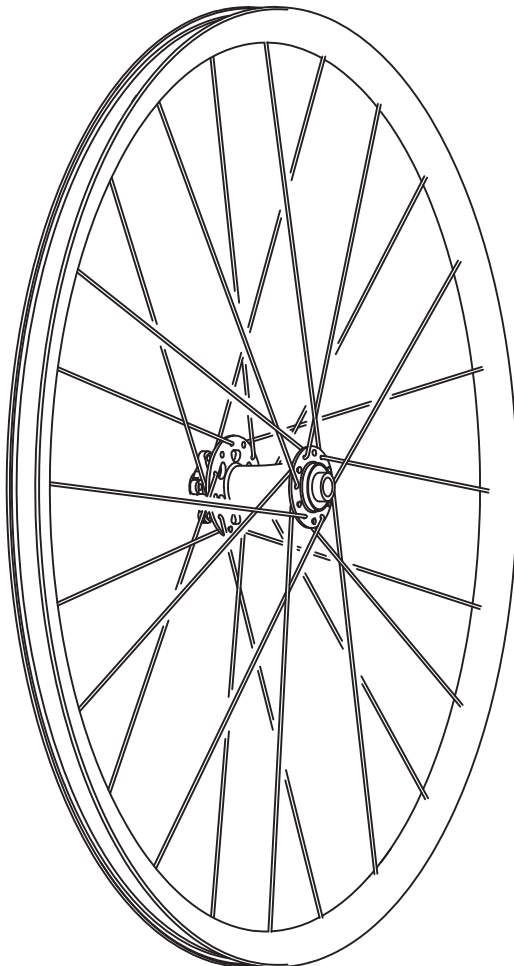




**ROUBX-B**

**PRIME  
Carbon Hookless Clincher**

DISC BRAKE MTB WHEELSET-BOOST SPACING



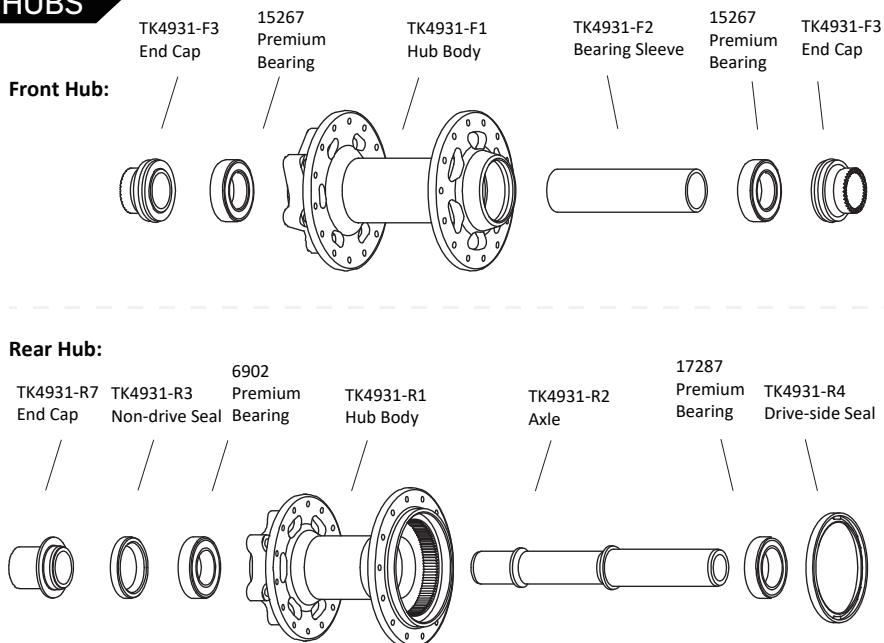
**SPECIFICATION**

RIM				HUB	SPOKE / NIPPLE	CASSETTE BODY	WHEEL MAXIMUM
Profile Depth	Internal Width	External Max Width	Recom'ed Tyre Size	M1 Hubset F-28H R-28H PREMIUM Bearing	Pillar PDB1416 Black Spoke  Alloy External Black Nipple	Shimano / SRAM 10-11S/ SRAM XD - or - Shimano MS	Inflation Pressure <b>72psi</b> (all sizes, with or without tube)  Rider Weight 100kg
33mm	25.3mm	31.1mm	29"x2.1" - 2.35"				

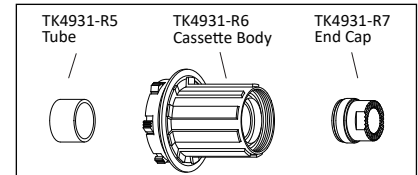
## WARNING

1. Use only TOKEN brand carbon-rim specified brake pads on rims with carbon fiber brake track. Use other brake pads could degrade braking performance and may lead to unwanted character such as noise and heat accumulation, as well as serious injury of rider.
2. Over tensioning spokes and exceeding maximum inflation pressure could cause unseen damage. Note that overly inflated tyres don't necessarily have lower rolling resistance, and may have inferior traction!
3. Discontinue use of rim immediately if the brake track is worn, deformed (carbon) or the wear indication dots disappear (alloy).
4. Mounting clincher tyres on tubeless-ready rims could take more effort than on regular rims. Take great care not to damage any part of the rim with tyre lever! Applying mild soap water or tyre sealant on rim and tyre bead could make tyre installation easier.
5. Make sure your tyre-and-wheel combination meets ISO 4210-6 Safety Requirement regulation - there should always be a clearance no less than 4mm between the tyre and the frame, as well as other components such as brake caliper.
6. Failure to follow the conditions listed above may result in 2-year warranty being voided. Contact your local dealer or see the TOKEN website for details. -www.tokenproducts.com-

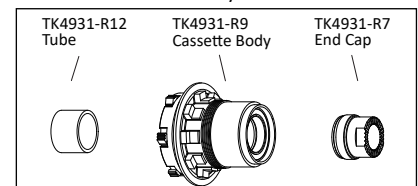
## HUBS



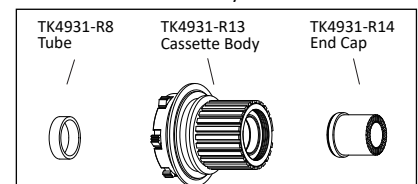
### TK2727 SHIMANO Cassette Body Set



### TK2722 XD Cassette Body Set



### TK2771 MS Cassette Body Set



## WHEEL BUILDING

## RIM

## BEARING

Spoke Information		Tension (kgf)	Size	Length (mm)	ERD (mm)	Front	Rear < SHIMANO >
Front	Drive Side (RH)	90~110	14G	274	573	15267* 2	6902 * 1 17287*1 6803*2
	Non-Drive Side (LH)	100~120	14G	274			
Rear	Drive Side (RH)	110~130	14G	270			
	Non-Drive Side (LH)	75~95	14G	274			