

Press Fit BB Installation Instructions

IMPORTANT NOTICE:

- Do not alter this product in any way as it can cause unseen damage. Any modifications to this product will void the warranty.
- TOKEN suggests taking your bottom bracket to your local authorized TOKEN dealer for installation, service and adjustments.
- Read the user's guide before installation and use. Follow all instructions carefully. If you have any questions, don't ride the bike. Take it to your local TOKEN dealer for assistance.

BEFORE RIDING:

- Check that there is no side-to-side movement in the bottom bracket. Also check that the cranks spin smoothly. If there is movement or the bottom bracket is not smooth, take the bicycle to your local TOKEN dealer for service or replacement.
- Ensure that the cranks are firmly attached to the bottom bracket. Improperly attached cranks can become detached from the bicycle and serious injury can result. Never ride a bicycle with improperly attached cranks.

AFTER RIDING:

- When cleaning the bottom bracket, only use mild soap and water. Never spray the bottom bracket with high-pressure water. Water can enter the bottom bracket and cause it to wear prematurely.

WARRANTY:

All TOKEN products are guaranteed against defects in materials or workmanship for two (2) years from the original date of purchase. This warranty applies to the original owner only and is not transferable. The warranty is considered void if resold. The warranty does not cover normal wear and tear or damage from abuse. Please see our website or contact your local dealer or distributor for more details.

www.tokenproducts.com

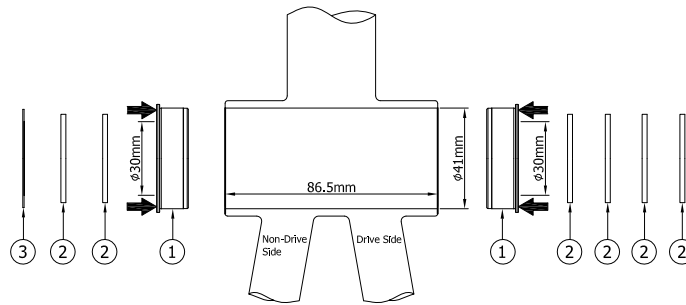
	ROTOR 3D+ CRANKSET													
BB86 FRAME (φ41x86.5mm)	<p>MODEL: BB86R386 / BB4130S</p> <table border="1"> <thead> <tr> <th>No.</th> <th>Description</th> <th>Q'ty</th> </tr> </thead> <tbody> <tr> <td>1</td> <td>Bearing</td> <td>2</td> </tr> <tr> <td>2</td> <td>2mm Spacer</td> <td>2</td> </tr> <tr> <td>3</td> <td>0.5 mm Spacer</td> <td>1</td> </tr> </tbody> </table> <p style="text-align: right;">← Only apply pressure to flange when installing to prevent bearing damage.</p>	No.	Description	Q'ty	1	Bearing	2	2	2mm Spacer	2	3	0.5 mm Spacer	1	
No.	Description	Q'ty												
1	Bearing	2												
2	2mm Spacer	2												
3	0.5 mm Spacer	1												
	FSA BB386EVO ROAD DOUBLE CRANKSET													
BB86 FRAME (φ41x86.5mm)	<p>MODEL: BB86R386 / BB4130S</p> <table border="1"> <thead> <tr> <th>No.</th> <th>Description</th> <th>Q'ty</th> </tr> </thead> <tbody> <tr> <td>1</td> <td>Bearing</td> <td>2</td> </tr> <tr> <td>2</td> <td>Wave Washer</td> <td>1</td> </tr> </tbody> </table> <p>NOTE: Not compatible with FSA's Modular Crank System.</p> <p style="text-align: right;">← Only apply pressure to flange when installing to prevent bearing damage.</p>	No.	Description	Q'ty	1	Bearing	2	2	Wave Washer	1				
No.	Description	Q'ty												
1	Bearing	2												
2	Wave Washer	1												
	FSA BB392EVO CRANKSET													
BB89.5 FRAME (φ41x89.5mm)	<p>MODEL: BB86R386 / BB4130S</p> <table border="1"> <thead> <tr> <th>No.</th> <th>Description</th> <th>Q'ty</th> </tr> </thead> <tbody> <tr> <td>1</td> <td>Bearing</td> <td>2</td> </tr> <tr> <td>2</td> <td>2mm Spacer</td> <td>3</td> </tr> <tr> <td>4</td> <td>Wave Washer</td> <td>1</td> </tr> </tbody> </table> <p style="text-align: right;">← Only apply pressure to flange when installing to prevent bearing damage.</p>	No.	Description	Q'ty	1	Bearing	2	2	2mm Spacer	3	4	Wave Washer	1	
No.	Description	Q'ty												
1	Bearing	2												
2	2mm Spacer	3												
4	Wave Washer	1												
	FSA BB392EVO CRANKSET													
BB92 FRAME (φ41x92mm)	<p>MODEL: BB86R386 / BB4130S</p> <table border="1"> <thead> <tr> <th>No.</th> <th>Description</th> <th>Q'ty</th> </tr> </thead> <tbody> <tr> <td>1</td> <td>Bearing</td> <td>2</td> </tr> <tr> <td>2</td> <td>2mm Spacer</td> <td>2</td> </tr> <tr> <td>4</td> <td>Wave Washer</td> <td>1</td> </tr> </tbody> </table> <p style="text-align: right;">← Only apply pressure to flange when installing to prevent bearing damage.</p>	No.	Description	Q'ty	1	Bearing	2	2	2mm Spacer	2	4	Wave Washer	1	
No.	Description	Q'ty												
1	Bearing	2												
2	2mm Spacer	2												
4	Wave Washer	1												

RACEFACE CINCH CRANKSET (RF134)

BB86 FRAME (φ41x86.5mm)

MODEL: BB86R386 / BB4130S

No.	Description	Q'ty
1	Bearing	2
2	2mm Spacer	6
3	0.5 mm Spacer	1



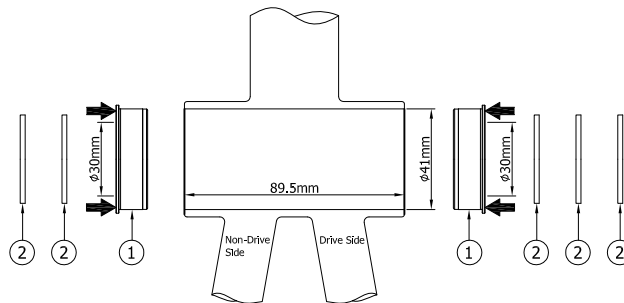
← Only apply pressure to flange when installing to prevent bearing damage.

RACEFACE CINCH CRANKSET (RF134)

BB89.5 FRAME (φ41x89.5mm)

MODEL: BB86R386 / BB4130S

No.	Description	Q'ty
1	Bearing	2
2	2mm Spacer	5



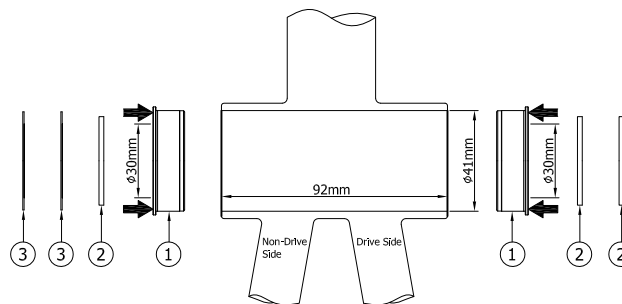
← Only apply pressure to flange when installing to prevent bearing damage.

RACEFACE CINCH CRANKSET (RF134)

BB92 FRAME (φ41x92mm)

MODEL: BB86R386 / BB4130S

No.	Description	Q'ty
1	Bearing	2
2	2mm Spacer	3
3	0.5 mm Spacer	2



← Only apply pressure to flange when installing to prevent bearing damage.