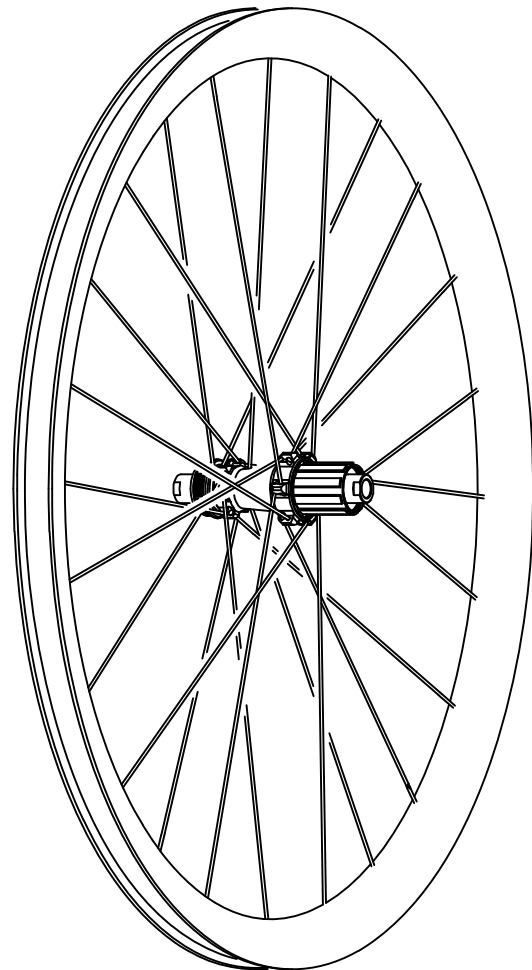
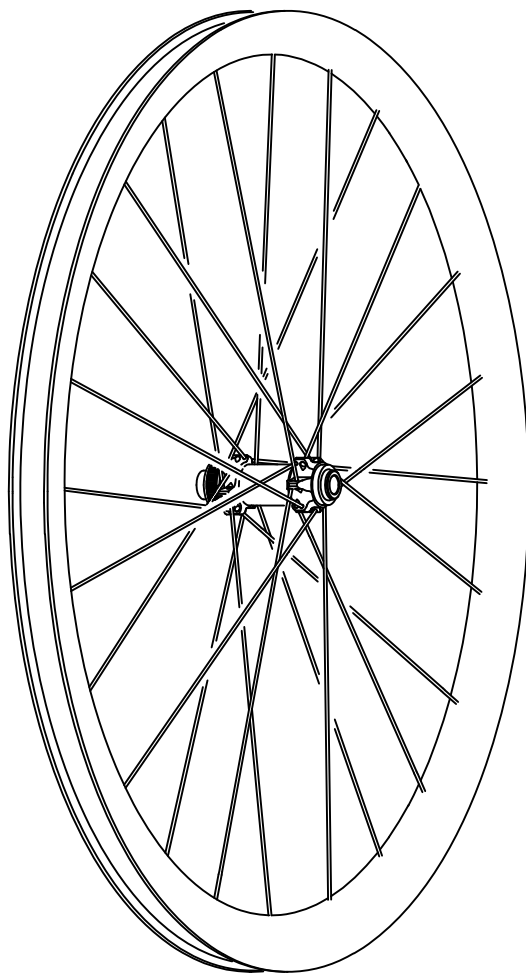




**VENTOUS disc**  
**KONAX PRO disc**

# PRIME Carbon Clincher

DISC BRAKE ROAD RACING WHEELSET



**SPECIFICATION**

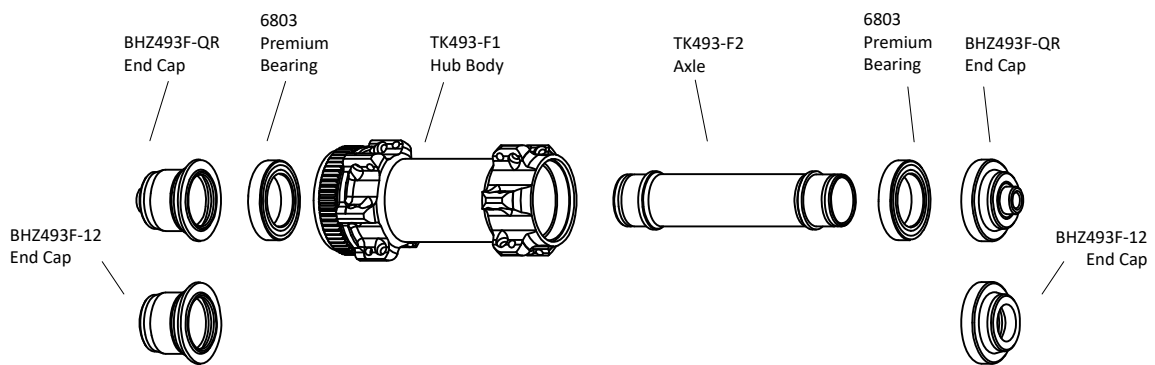
	RIM				HUB	SPOKE / NIPPLE	CASSETTE BODY	WHEEL MAXIMUM
	Profile Depth	Internal Width	External Max Width	Recom'ed Tyre Size	D1 Hubset F-24H R-24H PREMIUM Bearing	Pillar WING Black Spoke  Alloy External Black Nipple	Shi & SRAM 10-11S - or - SRAM XD	Inflation Pressure 115psi (700x25c)  Rider Weight 100kg
VENTOUS disc KONAX PRO disc	36mm 52mm	20mm	28.4mm	700x25c 700x28c				

**WARNING**

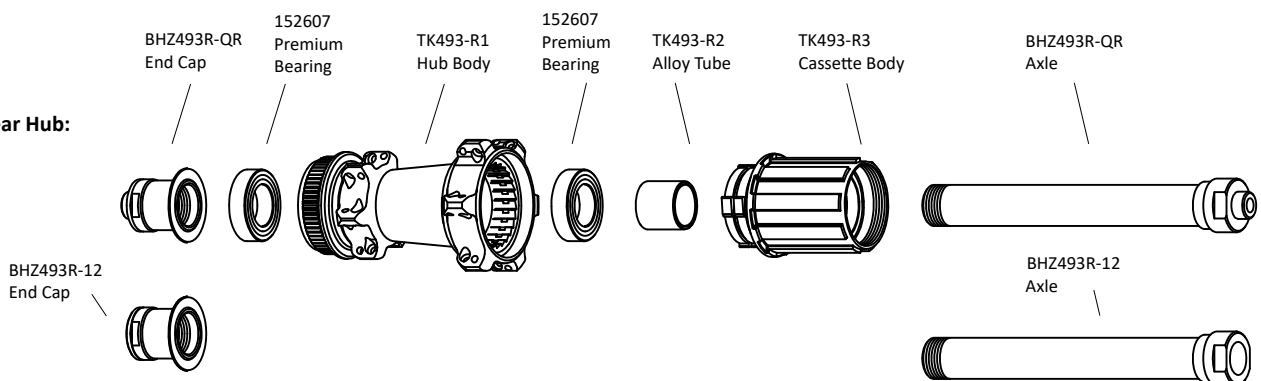
1. Use only TOKEN brand carbon-rim specified brake pads on rims with carbon fiber brake track. Use other brake pads could degrade braking performance and may lead to unwanted character such as noise and heat accumulation, as well as serious injury of rider.
2. Over tensioning spokes and exceeding maximum inflation pressure could cause unseen damage. Note that overly inflated tyres don't necessarily have lower rolling resistance, and may have inferior traction!
3. Discontinue use of rim immediately if the brake track is worn, deformed (carbon) or the wear indication dots disappear (alloy).
4. Mounting clincher tyres on tubeless-ready rims could take more effort than on regular rims. Take great care not to damage any part of the rim with tyre lever! Applying mild soap water or tyre sealant on rim and tyre bead could make tyre installation easier.
5. Make sure your tyre-and-wheel combination meets ISO 4210-6 Safety Requirement regulation - there should always be a clearance no less than 4mm between the tyre and the frame, as well as other components such as brake caliper.
6. Failure to follow the conditions listed above may result in 2-year warranty being voided. Contact your local dealer or see the TOKEN website for details. -www.tokenproducts.com-

**HUBS**

Front Hub:



Rear Hub:



**WHEEL BUILDING**

**RIM**

**BEARING**

Spoke Information	Tension (kgf)	Size	Length (mm)		ERD (mm)	Front	Rear
			VENTOUS disc	KONAX PRO disc			
Front	Drive Side (RH)	80~100	14G	284	268	VENTOUS disc 567	6803 * 2
	Non-Drive Side (LH)	100~120	14G	282	266		
Rear	Drive Side (RH)	110~130	14G	282	266	KONAX PRO disc 535	152607 * 4
	Non-Drive Side (LH)	70~90	14G	284	268		