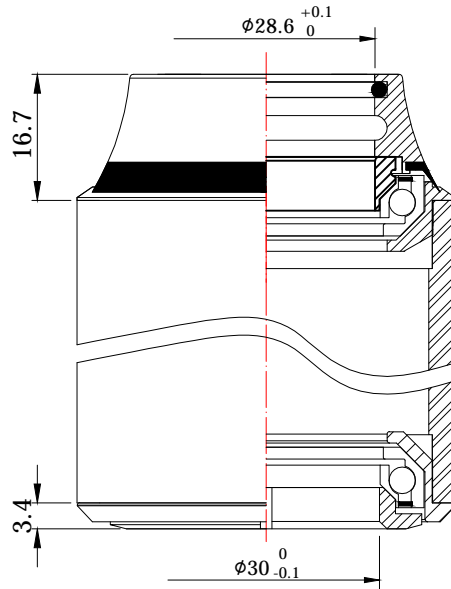
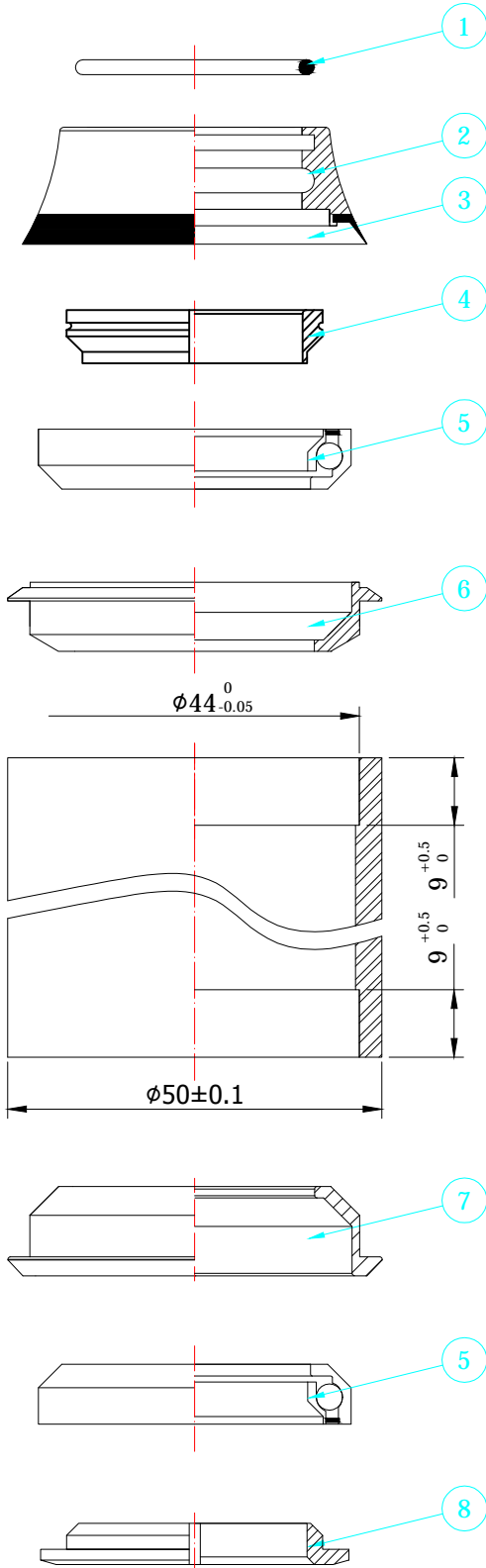


TK080 (1)

1-1/8" Internal Headset (Semi-Integrated)



Stack Height: 16.7+3.4=20.1mm

- Headtube OD: 50mm
- Fork Steerer: 1-1/8"
- Bearing: Premium Bearing

SHIS code : ZS44/28.6 | ZS44/30

No.	Item	Material	Drawing	Q'ty
1	O-ring	NBR70	AS024	1
2	Top Cover	Alloy	070-3	1
3	Water Seal	Rubber	070-9	1
4	Compression Ring	Alloy	A3-2	1
5	Premium Bearing	Steel	418CA	2
6	Upper Cup	Alloy	070-4	1
7	Lower Cup	Alloy	080-5	1
8	Crown Race	Alloy	A3-6	1

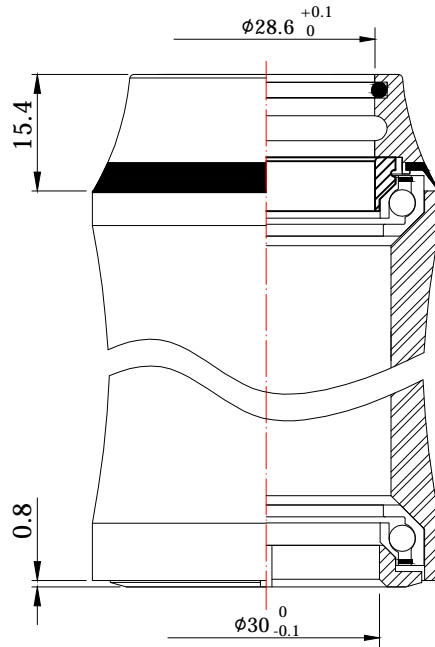
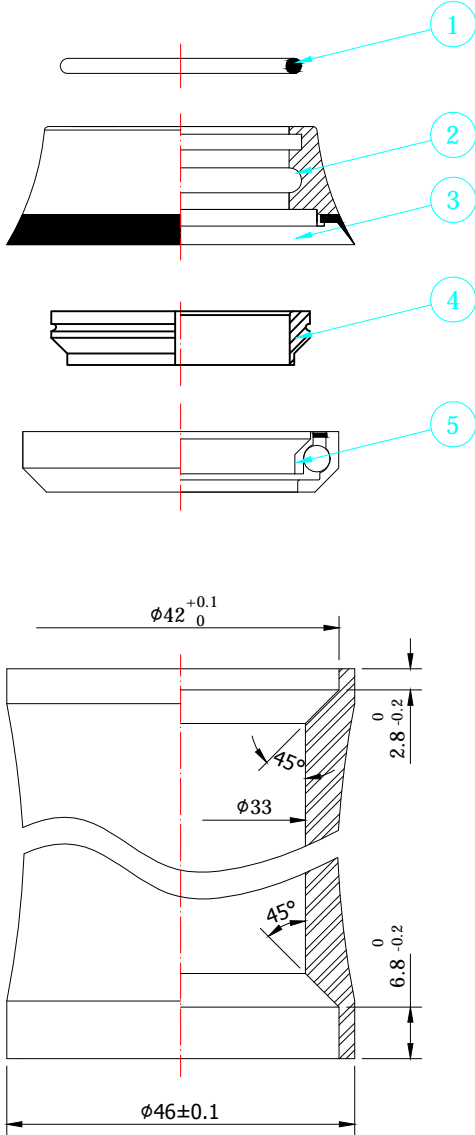
Unit: mm

Scale: 1:1

Version: A
2017.04.20

TK080 (2)

1-1/8" Internal Headset



Stack Height: 15.4+0.8=16.2mm

- Headtube OD: 46mm
- Fork Steerer: 1-1/8"
- Bearing: Premium Bearing

SHIS code : IS42/28.6 | IS42/30

No.	Item	Material	Drawing	Q'ty
1	O-ring	NBR70	AS024	1
2	Top Cover	Alloy	070-3	1
3	Water Seal	Rubber	070-9	1
4	Compression Ring	Alloy	A3-2	1
5	Premium Bearing	Steel	418CA	2
6	Crown Race	Alloy	A3-6	1

Unit: mm

Scale: 1:1

Version: A
2017.04.20