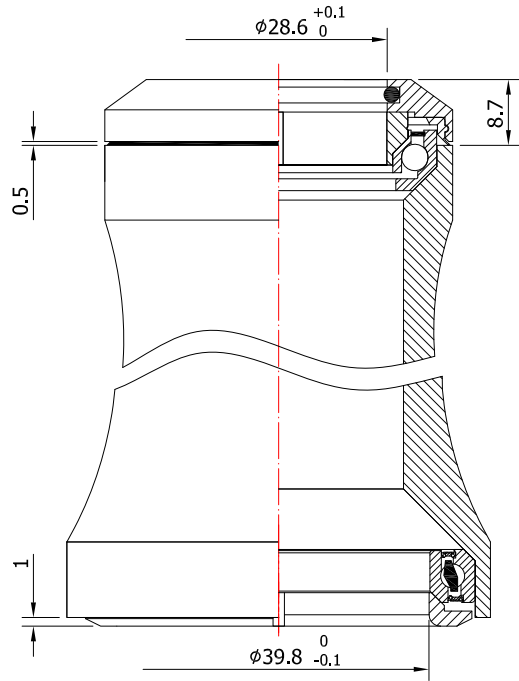
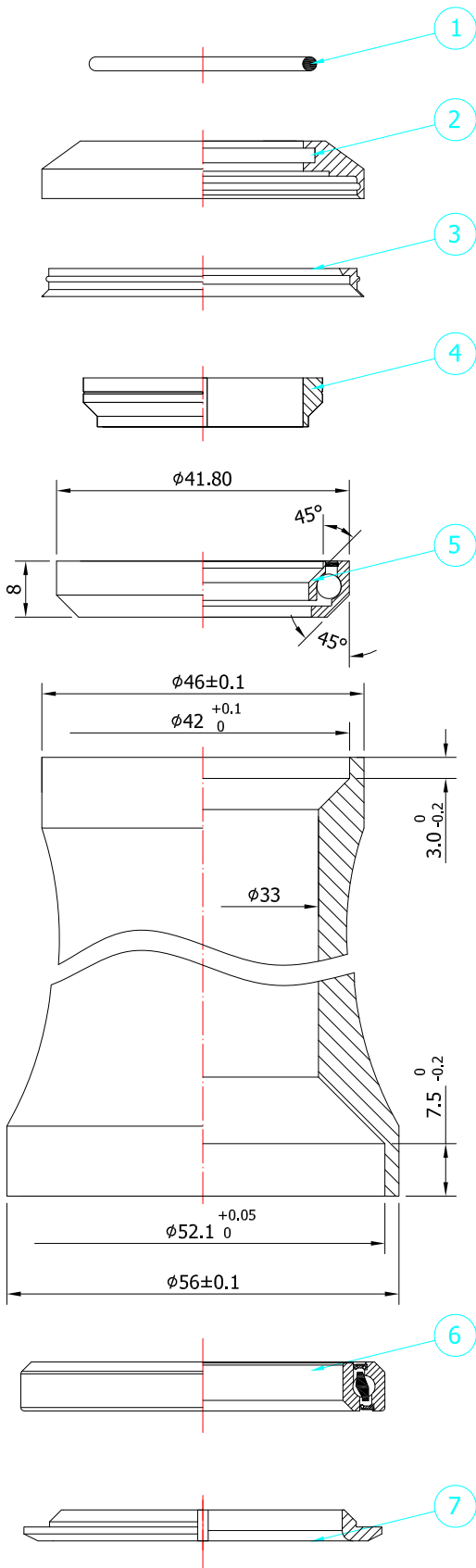


TOKEN HEADSET TECHNICAL MANUAL

A83

1-1/8"+1.5" Taper Integrated Headset



Stack Height 8.7+1.0=9.7mm

- Headtube OD: Taper 46mm/56mm
- Fork Steerer: Taper 1-1/8" to 1.5"
- Top Cover: Alloy 8mm
- Bearing: Sealed Bearing
- Compatible: No.42/ACB

SHIS code: IS42/28.6 | IS52/40

No.	Item	Material	Drawing	Q'ty
1	O-Ring	NBR-70	A1-8	1
2	Top Cover	Alloy	A3-3	1
3	Water Seal	NBR-70	A2-9	1
4	Compression Ring	Alloy	A3-2	1
5	Sealed Bearing	Steel	418CA	1
6	Sealed Bearing	Steel	ACB52	1
7	Crown Race	Alloy	072-6	1

Unit: mm

Scale: 1:1

Version: B
2014.11.11