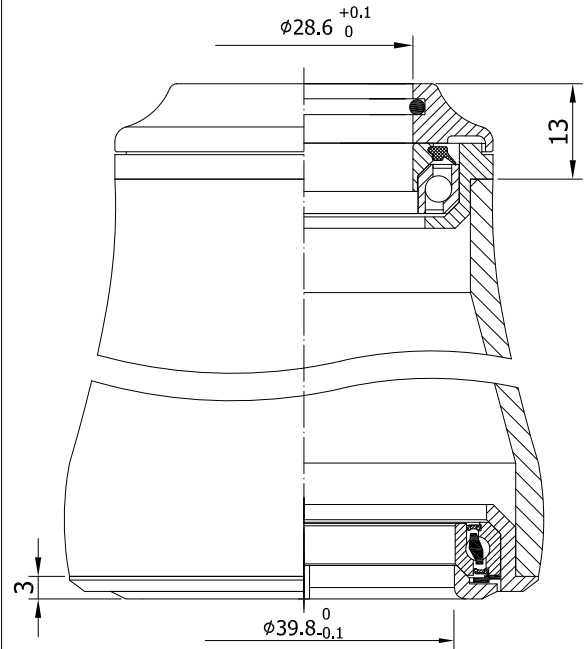
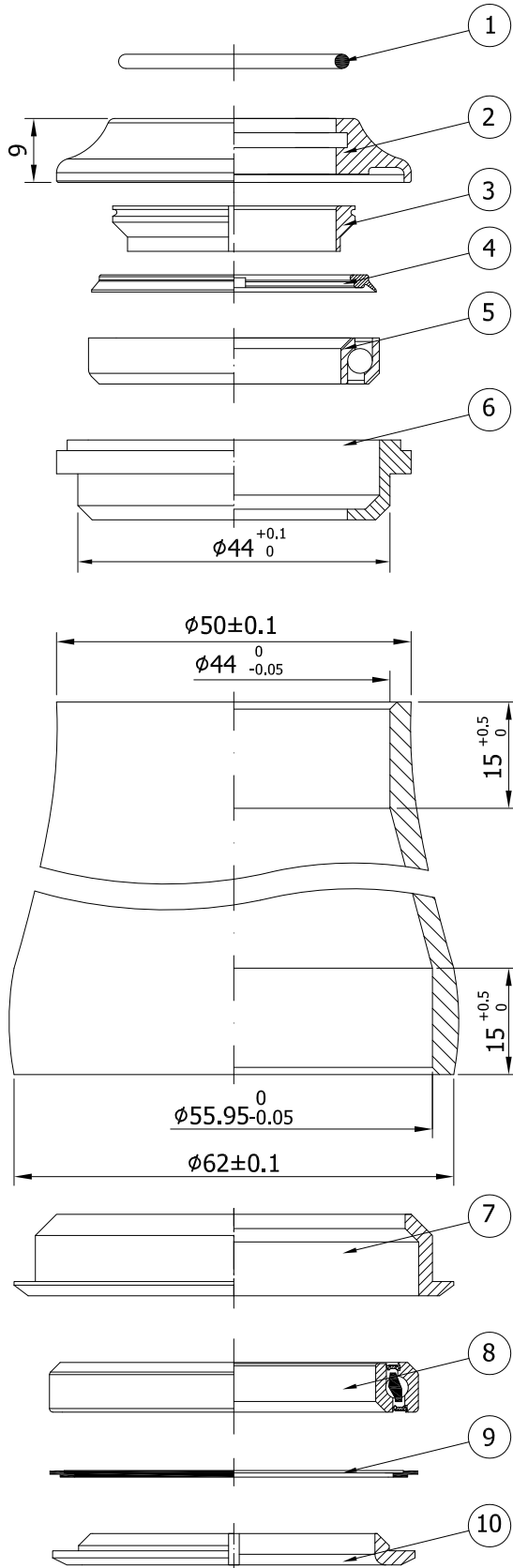


TOKEN HEADSET TECHNICAL MANUAL

TK035A

1-1/8"+1.5" Taper Internal Headset (Semi-Integrated)



Stack Height: 13+3=16mm

- Headtube OD: Taper 50/62mm
- Fork Steerer: Taper 1-1/8" to 1.5"
- Top Cover: Alloy 9mm
- Bearing: Sealed Bearing
- Compatible: Orbit 1.5 ZS, No.57

SHIS code: ZS44/28.6 | ZS56/40

No.	Item	Material	Drawing	Q'ty
1	O-Ring	NBR-70	A1-8	1
2	Top Cover	Alloy	011A-3	1
3	Compression Ring	Alloy	A1-2	1
4	Water Seal	Rubber	TK011A-8	1
5	Sealed Bearing	Steel	ACB41	1
6	Upper Cup	Alloy	011A-4	1
7	Lower Cup	Alloy	072-5	1
8	Sealed Bearing	Steel	ACB52	1
9	Water Seal	Plastic	M52	1
10	Crown Race	Alloy	072-6	1

Unit: mm

Scale: 1:1

Version: C
2018.10.19