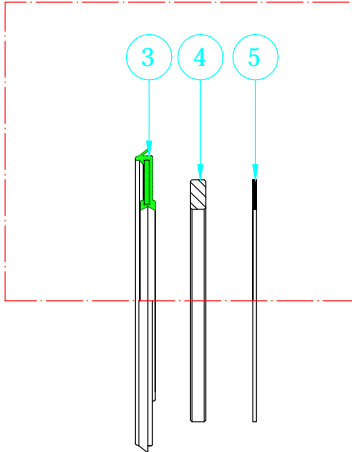
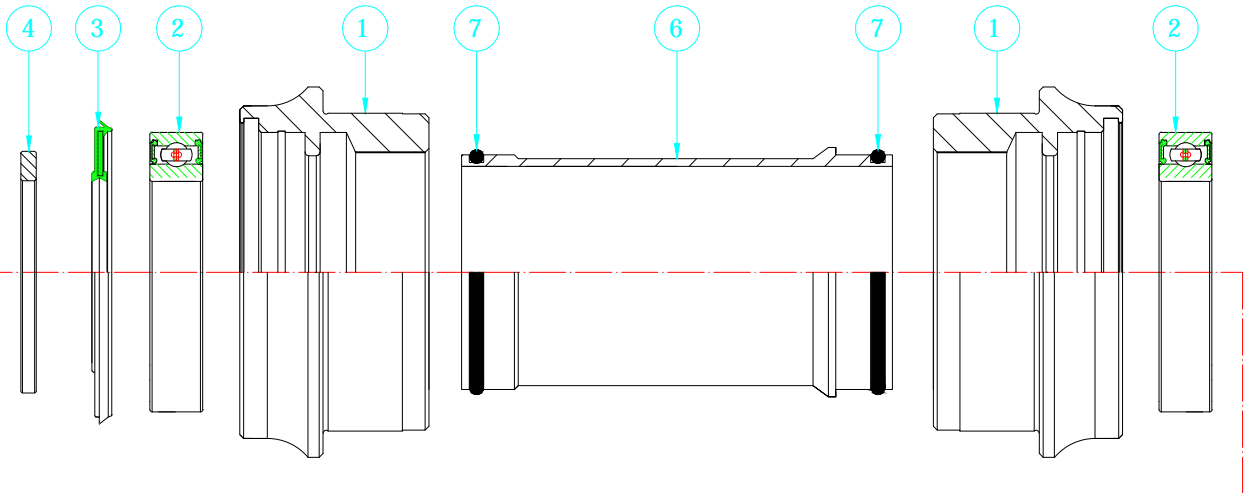
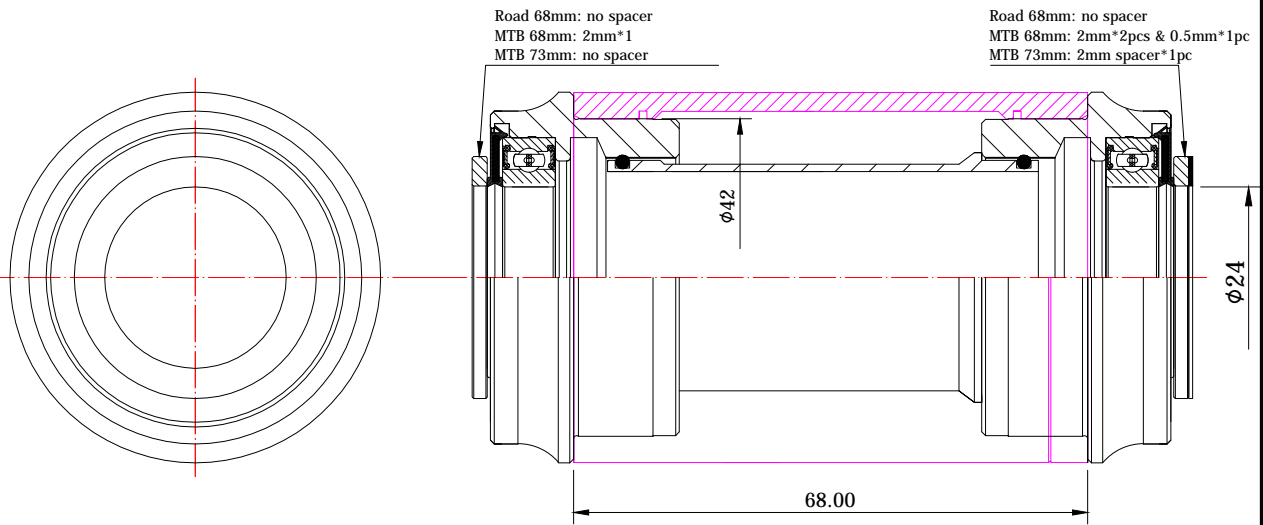


BB30AR

Bottom Bracket for BB30 frame with Shimano 24mm crankset



- For BB30 Road Frame (φ42x68mm) and BB30 MTB Frame (φ42x68/73mm) & Shimano φ24mm Crankset
- TBT Bearing upgrade option: **BB30AR-TBT**
- Alloy CNC cups with precisely machining
- Hand Assembled

No.	Item	Material	Drawing	Q'ty
1	Alloy Cup	Alloy	BB30AR-1	2
2	Sealed Bearing	Steel	24377	2
3	Water Seal	Rubber	878-3-1	2
4	2mm spacer	Plastic	BB30R-4P	3
5	0.5mm spacer	Plastic	PF30R-4	1
6	Sleeve	Plastic	877-2	1
7	O-ring	Rubber	877-2-1	2
Unit: mm		Scale: 1:1		Version: C
				2017.02.06