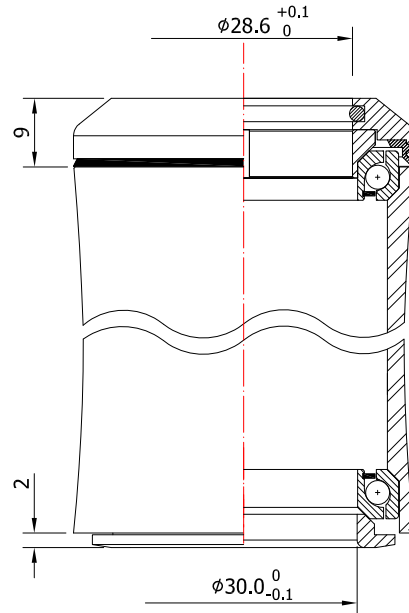
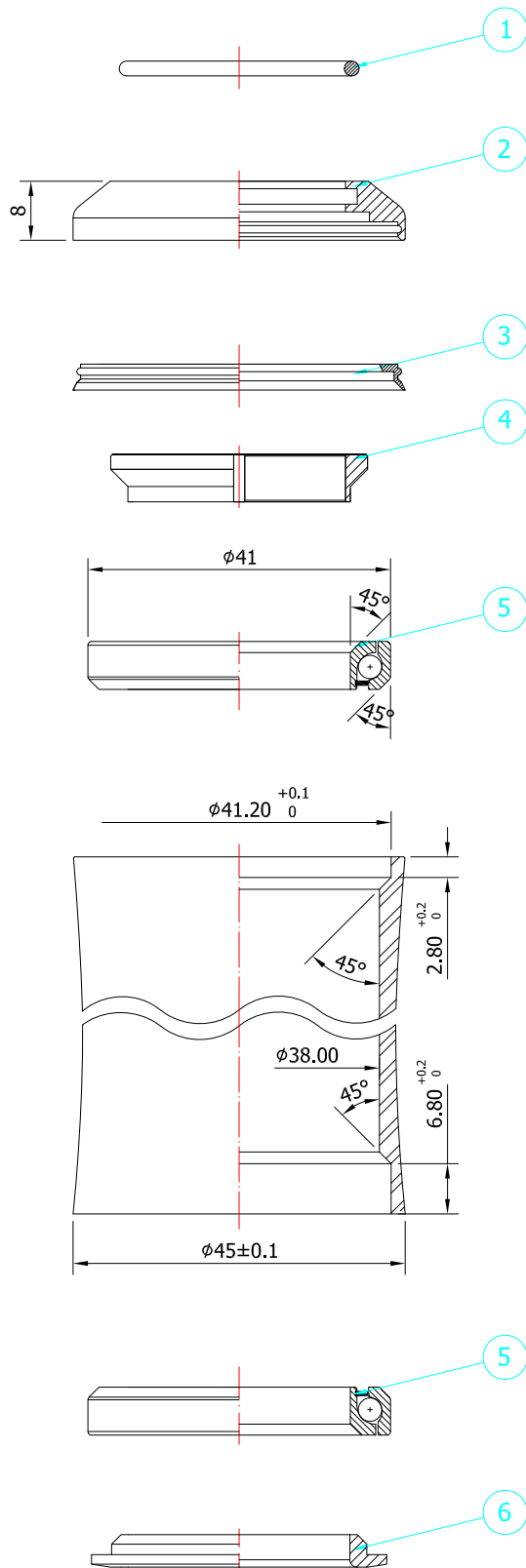


TOKEN HEADSET TECHNICAL MANUAL

A1M

1-1/8" Integrated Headset



Stack Height: 9+2=11mm

- Headtube OD: 45mm
- Fork Steerer: 1-1/8"
- Top Cover: Alloy 8mm
- Bearing: Sealed Bearing

SHIS code: IS41/28.6 | IS41/30

No.	Item	Material	Drawing	Q'ty
1	O-Ring	NBR-70	A1-8	1
2	Top Cover	Alloy	A1-3	1
3	Water Seal	NBR-70	A1-9	1
4	Compression Ring	Alloy	A1-2	1
5	Sealed Bearing	Steel	ACB41M	2
6	Crown Race	Steel	6204-3	1

Unit: mm

Scale: 1:1

Version: A
2016.04.15