

# External BB Installation Instructions

### IMPORTANT NOTICE:

- Do not alter this product in any way as it can cause unseen damage. Any modifications to this product will void the warranty.
- TOKEN suggests taking your bottom bracket to your local authorized TOKEN dealer for Installation, service and adjustments.
- Read the user's guide before installation and use. Follow all instructions carefully. If you have any questions, don't ride the bike. Take it to your local TOKEN dealer for assistance.

### BEFORE RIDING:

- Check that there is no side-to-side movement in the bottom bracket. Also check that the cranks spin smoothly. If there is movement or the bottom bracket is not smooth, take the bicycle to your local TOKEN dealer for service or replacement.

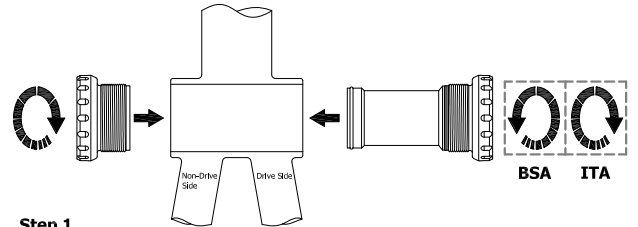
- Ensure that the cranks are firmly attached to the bottom bracket. Improperly attached cranks can become detached from the bicycle and serious injury can result. Never ride a bicycle with improperly attached cranks.

### AFTER RIDING:

- When cleaning the bottom bracket, only use mild soap and water. Never spray the bottom bracket with high-pressure water. Water can enter the bottom bracket and cause it to wear prematurely.

### WARRANTY:

All TOKEN products are guaranteed against defects in materials or workmanship for two (2) years from the original date of purchase. This warranty applies to the original owner only and is not transferable. The warranty is considered void if resold. The warranty does not cover normal wear and tear or damage from abuse. Please see our website or contact your local dealer or distributor for more details.



### Step 1

Install any necessary spacer or adaptor, according to chart.

### Step 2

Thread the cups into the frame by hand, ensuring they are tightened according to the direction arrows on the bottom bracket.

### Step 3

Use a torque wrench to tighten to 35-50 N.m (310-443 In-lb)

[www.tokenproducts.com](http://www.tokenproducts.com)

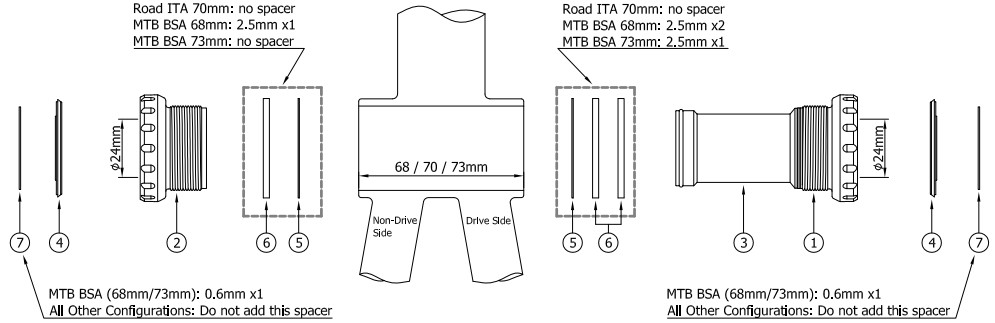
## BSA-68mm / BSA-73mm / ITA-70mm (TK877ITA & TK877ITA-TBT only)

### MODEL: TK877 Series / TK878 Series / TK877ITA Series

No.	Description	Q'ty
1	Right Cup	1
2	Left Cup	1
3	Sleeve	1
4	Dust Cover	2
5	0.5mm Spacer	2
6	2.5mm Spacer	3
7	0.6mm Spacer	2

Road BSA 68mm: 0.5mm x1  
 Road ITA 70mm: no spacer  
 MTB BSA 68mm: 2.5mm x1  
 MTB BSA 73mm: no spacer

Road BSA 68mm: 0.5mm x1  
 Road ITA 70mm: no spacer  
 MTB BSA 68mm: 2.5mm x2  
 MTB BSA 73mm: 2.5mm x1



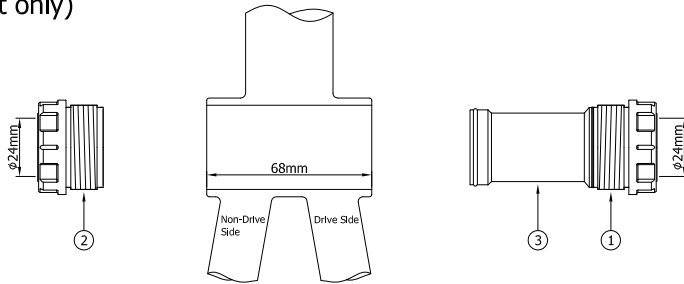
- The ④ Dust Cover of TK877EX and TK877TBT is not removable.

MTB BSA (68mm/73mm): 0.6mm x1  
 All Other Configurations: Do not add this spacer

MTB BSA (68mm/73mm): 0.6mm x1  
 All Other Configurations: Do not add this spacer

### MODEL: TK888 (68mm, Road Crankset only)

No.	Description	Q'ty
1	Right Cup	1
2	Left Cup	1
3	Sleeve	1



SHIMANO ROAD / MTB CRANKSET

## BSA-68mm / BSA-73mm / ITA-70mm (TK877ITA & TK877ITA-TBT only)

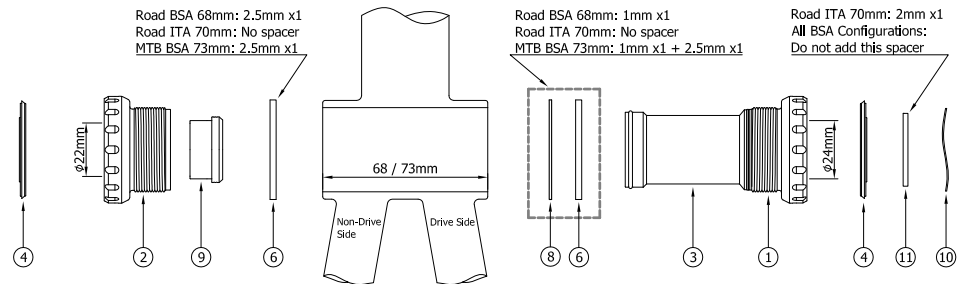
### MODEL: TK877 Series / TK878 Series / TK877ITA Series

No.	Description	Q'ty
1	Right Cup	1
2	Left Cup	1
3	Sleeve	1
4	Dust Cover	2
6	2.5mm Spacer	2
8	1mm Spacer	1
9	GXP Adaptor	1
10	Wave Washer	1
11	2mm Spacer	1

Road BSA 68mm: 2.5mm x1  
 Road ITA 70mm: No spacer  
 MTB BSA 73mm: 2.5mm x1

Road BSA 68mm: 1mm x1  
 Road ITA 70mm: No spacer  
 MTB BSA 73mm: 1mm x1 + 2.5mm x1

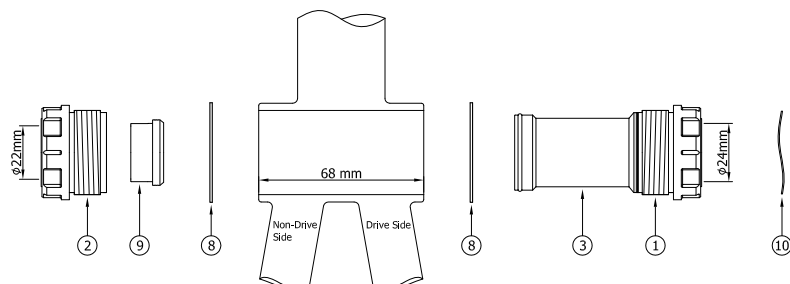
Road ITA 70mm: 2mm x1  
 All BSA Configurations:  
 Do not add this spacer



- The ④ Dust Cover of TK877EX and TK877TBT is not removable.

### MODEL: TK888

No.	Description	Q'ty
1	Right Cup	1
2	Left Cup	1
3	Sleeve	1
9	GXP Adaptor	1
8	1mm Spacer	2
10	Wave Washer	1



SRAM GXP ROAD / MTB CRANKSET