



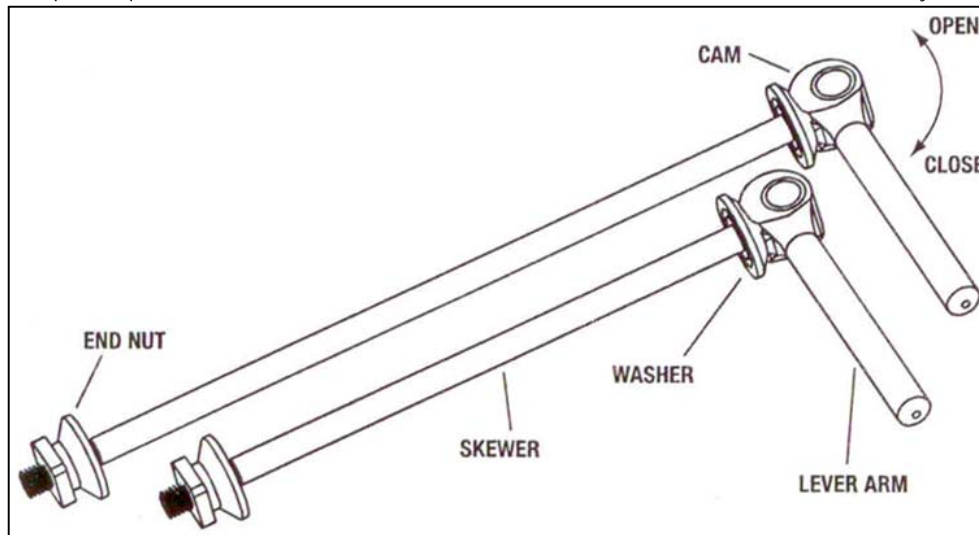
# TOKEN<sup>®</sup>

## High Rolling Bike Products

*PLEASE HAVE AN EXPERIENCED BICYCLE MECHANIC PROPERLY INSTALL THE QUICK-RELEASE SKEWERS ONTO YOUR BIKE.*

### INSTALLATION

1. Remove the end nut from the skewer.
2. Insert the skewer through the left side of the wheel hub. This will position the quick-release cam nut on the left side of the bike (viewed from the riding position).
3. Place the end nut onto the skewer from the right side and turn clockwise a *few* turns.
4. Install the wheel onto the bike with the skewer *fully* inserted into the dropouts.
5. With the quick-release lever fully open, press the cam into the groove of the washer and hold it firmly against the left dropout. While holding the cam/washer against the dropout, turn the end nut clockwise until it tightens against the right dropout.
6. Swing and close the lever arm towards the rear of the bike. You should feel a substantial resistance as you close the lever arm (approx. 30 lbs.), to the *fully* closed position. If you do not feel a lot of resistance, open the lever arm, turn the end nut on the right side clockwise 1/8 to 1/4 turn and try closing it again. *If needed*, repeat this step until the quick release is tightly in place and the wheel is firmly secured.
7. The lever arm should *always* be *firmly* and *fully* closed into the locked position, with the lever arm pointing inward toward the rear of the bike.
8. To remove the wheel, open the quick-release lever arm and remove the wheel. Turn the end nut counter clockwise if necessary.



### MAINTENANCE

Inspect the quick-release before and after each ride, or after each wheel removal and installation to ensure a secure, locked, and safe installation. Follow steps 1-8 systematically for each wheel installation. If you detect any abnormality or damage to the quick-release skewers, **STOP USING THEM IMMEDIATELY** and contact your local bike shop mechanic. Periodically lubricate the cam/washer interface lightly to insure smooth operation.

### WARRANTY

TOKEN warrants its skewers for a period of 2 years from the original date of purchase. Any product that is found to be defective in materials or workmanship will be repaired or replaced at the discretion of TOKEN. This warranty applies to the original owner only. This warranty does not cover damage or failure resulting from misuse, abuse, alteration, neglect, wear and tear, crash or impact, lack of maintenance or other conditions judged by TOKEN to be abnormal, excessive, or improper USE. Product rider weight limit is 91kg. Always have TOKEN products installed by a qualified mechanic, or carefully follow directions provided with the product. Always use a torque wrench and torque bolts as specified.

### WARRANTY SERVICE

To obtain service under this warranty, the owner should contact their place of purchase or TOKEN. Please include the product issue, date of purchase, place of purchase, along with your name and email address. A representative will contact you as soon as possible for service. TOKEN shall in no event be liable for incidental or consequential losses, damage, or expenses in connection with its products. TOKEN's liability hereunder is expressly limited to the replacement of goods not complying with this warranty.

### WARNING

Proper installation of the quick-release skewers is essential for safe riding. Check the quick-release skewers before every ride, make sure it is properly secure. If it is not properly secure, the wheels may wobble or disengage from the bicycle, which may result in serious bodily injury or death. If you do not fully understand its operation, see your TOKEN dealer.

### TOKEN PRODUCTS INC.

Tel.:+886 (0)4 2380 9922 Fax: +886 (0)4 2380 9900 E-mail: [token@tokenproducts.com](mailto:token@tokenproducts.com) <http://www.tokenproducts.com>  
No.20-5A, Leh-Tien Lane, Southern Area, 408 Taichung City, Taiwan R.O.C